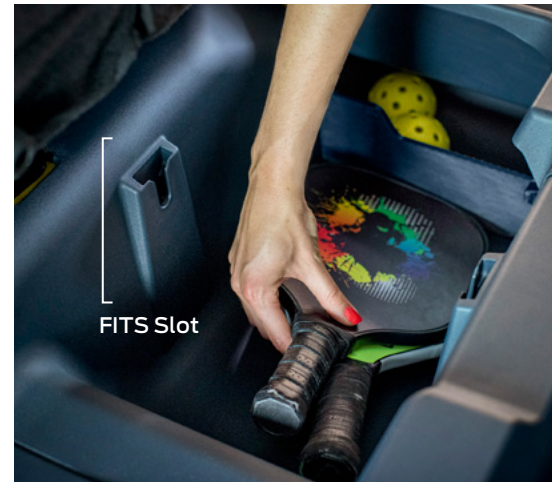


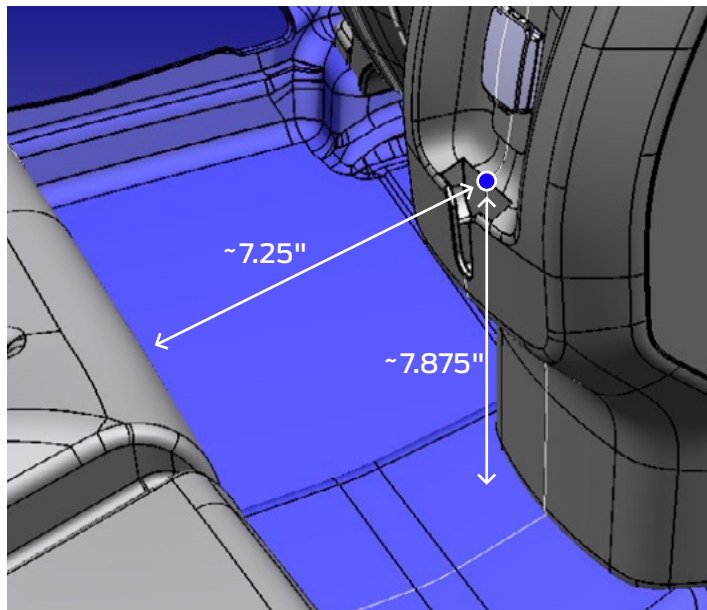
Ford Maverick FITS Slot Clearances

Center Console and Under-Seat Storage

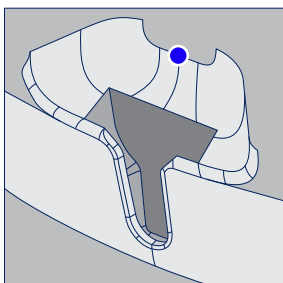
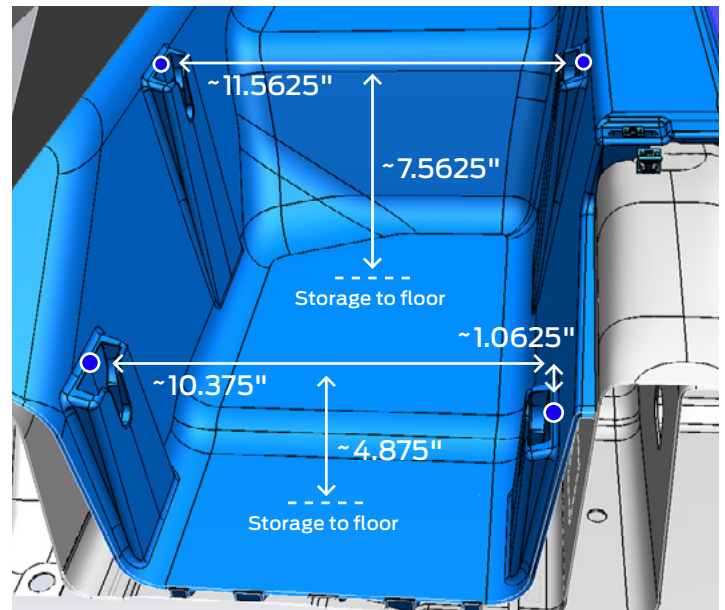
Personalize Ford Maverick® with 3D printing using FITS – Ford Integrated Tether System – standard in every truck.* FITS slots are receivers into which a matching mount slides in from the top and sits in place to house accessories. These slots act as receivers for a matching mount, which serves to house various accessories customers choose. Using the slot geometry available now, customers 3D print accessories to fit their lifestyle.



FITS slot clearances to rear seat cushion and to floor pan**



FITS slot clearances slot to slot, slot to storage floor**



*Preproduction Ford Accessory shown. For more accessories go to: <https://accessories.ford.com/>.

**Dimensions from front center of FITS slot.

